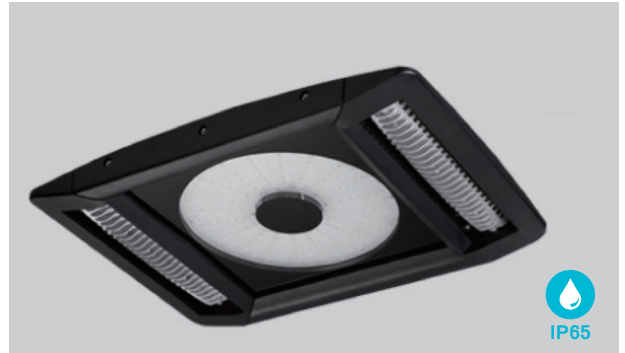


ADVANCED HIGH CEILING

Whiz Bidirectional

As part of normal business procedures, manufacturers occasionally encounter component end-of-life issues and must redesign the affected products or allow them to go end-of-life. This is the case with the Whiz Bidirectional Series. After careful consideration, METEOR has decided to discontinue the manufacture and sale of Whiz Bidirectional Series on Jun. 1, 2018.

The first LED high bay luminaire to deliver both upward and downward lighting for simultaneous illumination of the ceiling and floor.



Electrical System

- 150W (120V/1.50A; 277V/0.64A)
250W (120V/2.54A; 277V/1.09A)
- Power Input: Universal (120-277V); 347-480V
- Operating Temperature: -40°F~121°F
- Surge Protection: 10KV
- Remote Emergency Pack: Bodine BSL20W
- *Emergency option not available with 150W.**

LED Technology

- 3000K, 4200K, 5700K
- 75 CRI for 5700K
- 85 CRI for 3000K, 4200K
- 93 CRI for 3000K
- Beam Angle: 15°, 30°, 60°, 80°, 100° (with diffuser)
Uplight fixed for **80° only**
- Rated Life > 60,000 Hours (L70)

Versatile Dimming

- **Standard 0-10V: <10%.**
(Single Dimming Switch: Controls up and down dimming together)
- **Optional 0-10V: <10%.**
(Dual Dimming Switch: Controls up and down dimming separately)
- **Superior 0-10V: <1%**
(Single Dimming Switch: Controls up and down dimming together)
- **Optional Superior 0-10V: <1%.**
(Dual Dimming Switch: Controls up and down dimming separately)
- **DALI <10%** (Controls up and down dimming together)
- **DMX:** high resolution 4,096 steps dims to <0.1%

Flicker-free Technology

- METEOR's proprietary VX Driver combats flickering in recorded materials. Compatible with all dimming options.

Lead Time*

- **4 Weeks:**
Guarantee 4 weeks lead time on over **70%** of specifications.

Housing

- Dimensions: 22.34" (567mm) x 15.78" (400mm)
- Height: 2.4" (60mm)
- Material: Die-Cast Aluminum, Tempered Glass
- Weight: 26.45lbs (with power supply)

Mounting

- Bracket
- Stem 2ft, 4ft
- Adjustable Aircraft Cable 4ft, 8ft, 10ft
- Wall Mount

Warranty

- 5 year limited warranty

Listing

- **UL Damp Location Listed**
- UL Wet Location **Listed**, IP65 Outdoor Rating (optional)
- Natatorium Rating (optional)



Not all versions of this product may be DLC qualified. Please check the DLC Qualified Products List at www.designlights.org to confirm which versions are qualified.

ADVANCED HIGH CEILING

Whiz Bidirectional

How To Specify:

Ordering Example: WSBD-150-308-UNV-SDS-30-BLK-AD4

Standard lead time is 4 weeks, items highlighted in grey require additional lead time.

Model	Wattage	CCT / CRI	Voltage	Dimming
WSBD	-	-	-	-
WSBD Whiz Bidirectional	150 150W 250 250W	308 3000K / CRI85 428 4200K / CRI85 577 5700K / CRI75 309 3000K / CRI93	UNV 120-277V HVT¹ 347-480V	SDS Standard 0-10V with Single Dimming Switch DDS^{*2} Standard 0-10V with Dual Dimming Switch DAL DALI <10% SPV[*] Superior 0-10V with Single Dimming Switch DDSPV[*] Superior 0-10V with Dual Dimming Switch DMX³ DMX <0.1% (XLR Sockets)
			¹ Option is not compatible with DMX .	[*] Please inquire. ² 120-277V only ³ DMX option is not compatible with Outdoor and Natatorium rating .

Beam Angle	Finish	Mounting	Accessories
-	-	-	-
15 15° 30 30° 60 60° 80 80° WD 100°	BLK Black WHT White	BRK Bracket ST2[*] Stem 2ft ST4[*] Stem 4ft AD4 Adjustable Cable 4ft AD8 Adjustable Cable 8ft AD10 Adjustable Cable 10ft WLM Wall Mounting	EMP⁴ Remote Emergency Pack DF⁵ Diffuser WG Wire Guard
		[*] Option is not compatible with Outdoor and Natatorium rating .	⁴ Option is not compatible with Outdoor and Natatorium rating . ⁵ Please factor in change in lumen output with diffuser (-20% with 100°; -12% with other degrees)

Optional

OUT^{*8} Outdoor Rating NAT^{*9} Natatorium Rating	⁸ Outdoor rating: Coating and wiring will be changed to high UV resistant and corrosion resistant materials for long term operation in outdoor environments. ⁹ Natatorium rating: Coating and sealant will be changed to high corrosion resistant materials to prevent damage from long term exposure to chlorine vapors.
[*] Option is not compatible with EMP and DMX .	

ADVANCED HIGH CEILING

Whiz Bidirectional

Delivered Lumens*

Downlight:

CCT	150W	250W
	Beam Angle: 15°	
5700K	12705 lm	20780 lm
4200K	11600 lm	17820 lm
3000K	11808 lm	16330 lm

*Tolerance ±8%

Uplight:

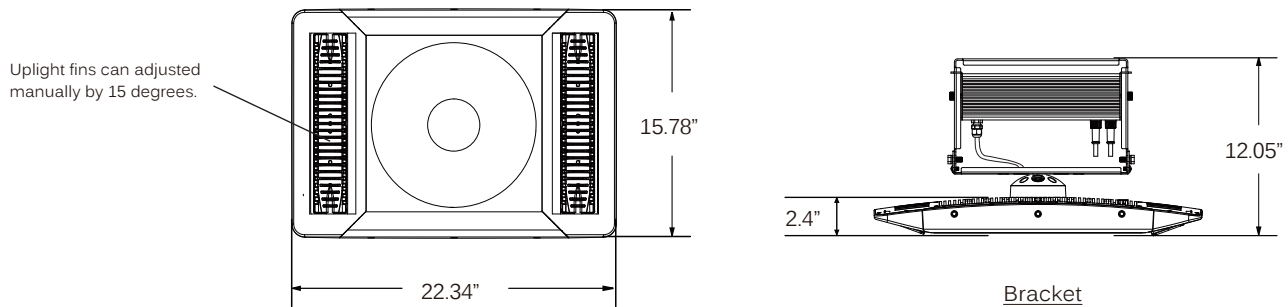
CCT	150W	250W
	Beam Angle: 80°	
5700K	2290 lm	4120 lm
4200K	2105 lm	3590 lm
3000K	2000 lm	3280 lm

*Tolerance ±8%

Emergency Pack Lumen Output Table

CCT	3000K	4200K	5700K
Lumen	1760 lm	1890 lm	1950 lm

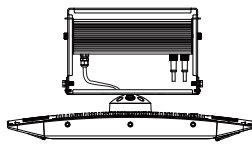
Dimensions



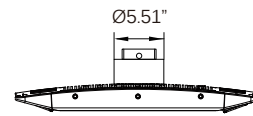
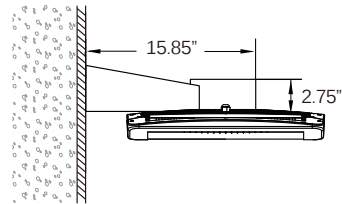
ADVANCED HIGH CEILING

Whiz Bidirectional

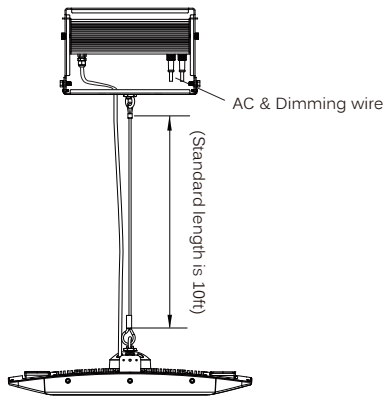
Mounting Options



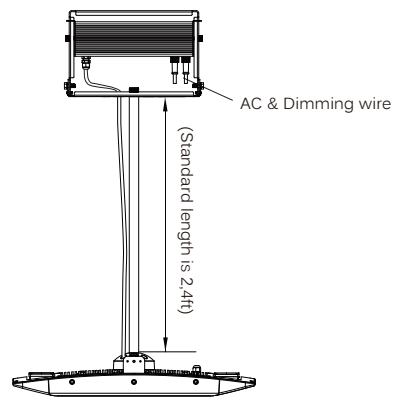
Bracket



Wall Mount



Adjustable Aircraft Cable



Stem

Remote Emergency Pack

